

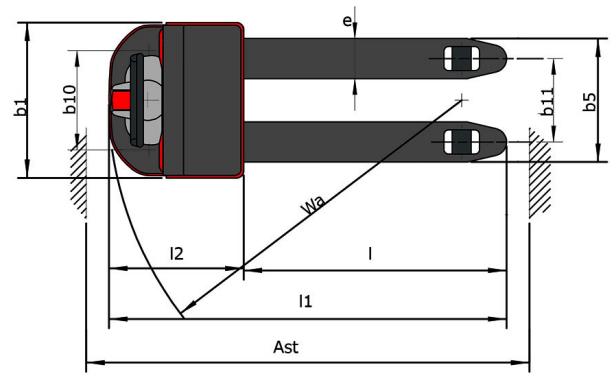
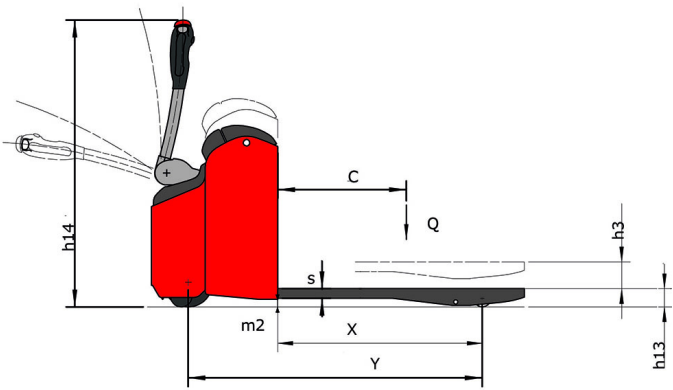
Technical sheet

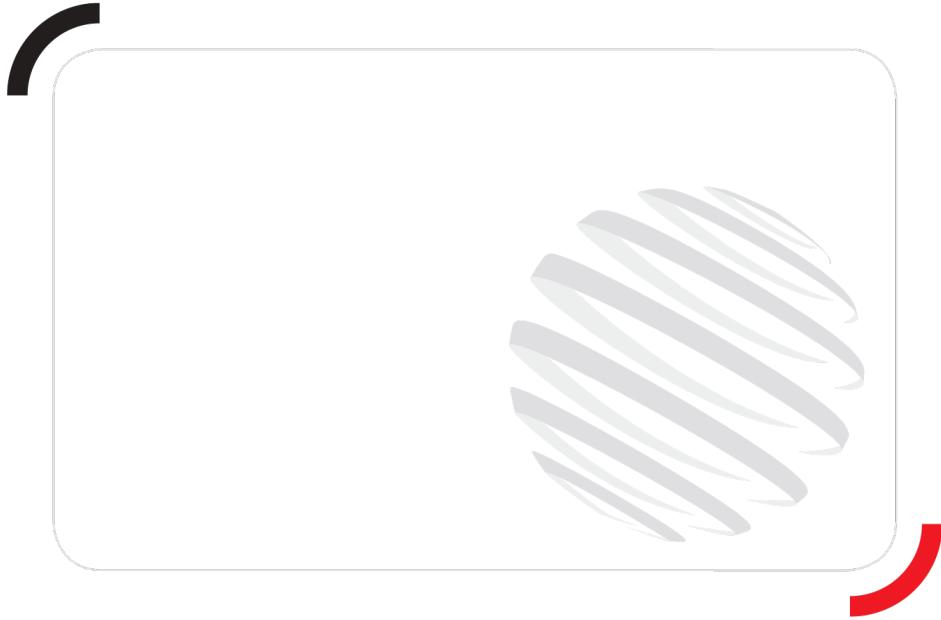
EP 22

Warehousing Equipment



	Technical characteristics	Metric
1.1	Manufacturer	Manitou
1.2	Model	EP 22
1.3	Type of traction	Electric
1.4	Type of operation	Stand Up
1.5	Q - Rated capacity	2200 kg
1.6	c - Center of gravity of load	0.60 mm
1.9	y - Wheelbase	1450 mm
	Weight	
2.1	Weight of truck in working order	560 kg
2.2	Laden weight on front/rear axle	1077 kg / 1405 kg
2.3	Unladen weight on front/rear axle	337 kg / 145 kg
	Wheels	
3.1	Tyre equipment: bandage (V), PPS (SE), inflatable tyre (L)	Polyurethane
3.5	Number of front wheels (x)	3 / 4
	Dimensions	
4.2	h1 - Height (mast lowered)	1340 mm
4.19	l1 - Total length	1740 mm
4.20	l2 - Length to fork heel	590 mm
4.21	b1 - Overall width - Single/twinned wheels	680 mm / -
4.22	e / s / l - Fork dimensions	1150 x 175 x 45
4.34	Ast - Aisle width for 800 x 1200 pallet lengthwise	1940 mm
4.35	Wa - Turning radius	1620 mm
4.36	b13 - Inner turning radius	5060 mm
	Performances	
5.1	Speed of travel laden / unladen	5.80 km/h / 6 km/h
5.7	Maximum ramp laden / unladen	10 % / 25 %
	Engine	
6.4	Battery voltage/capacity	24 V / 270 Ah
7.2	Useful power	1.70 kW
	Miscellaneous	
8.4	Measured/guaranteed mean noise level at the ear of the operator	65 dB(A)





Siège Social
430 rue de l'Aubinière - 44150 Ancenis Cedex - France
Tel: +33(0)2 40 09 10 11 - Fax: +33 (0)2 40 09 10 97
www.manitou.com



This brochure describes versions and configuration options for Manitou products which may be fitted with different equipment. The equipment described in this brochure may be standard, optional or not available depending on version. Manitou reserves the right to change the specifications shown and described at any time and without prior warning. The manufacturer is not liable for the specifications given. For more information, contact your Manitou dealer. Non-contractual document. Product descriptions may differ from actual products. List of specifications is not comprehensive. The logos and visual identity of the company are the property of Manitou and may not be used without authorisation. All rights reserved. The photos and diagrams contained in this brochure are provided for information only.

MANITOU BF SA - Limited company with board of directors - Share capital: 39,547,824 euros - 857 802 508 RCS Nantes