

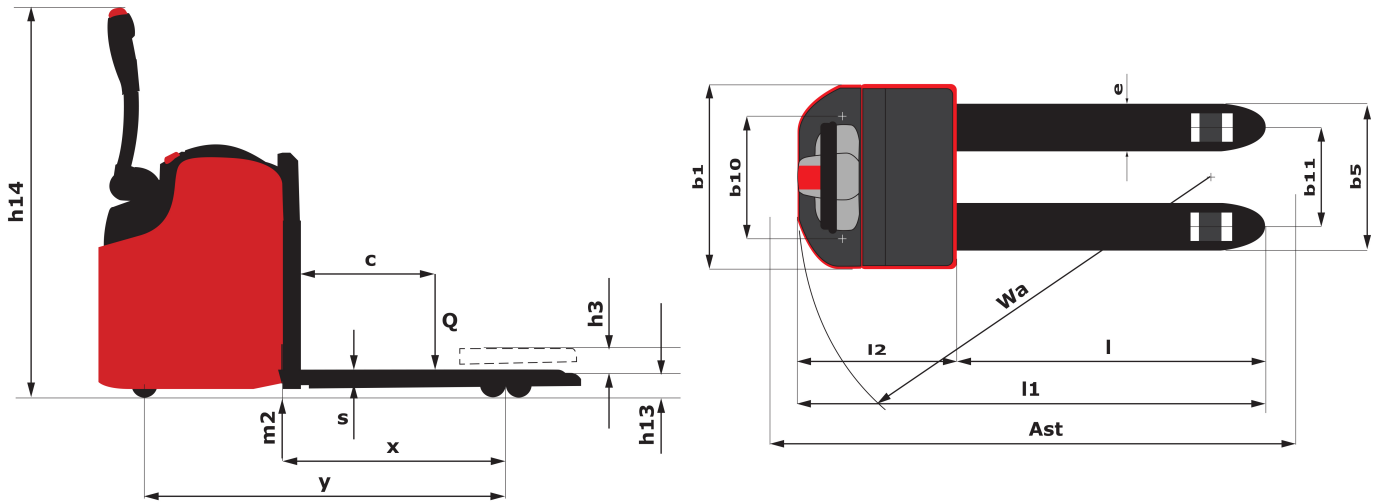
Technical sheet

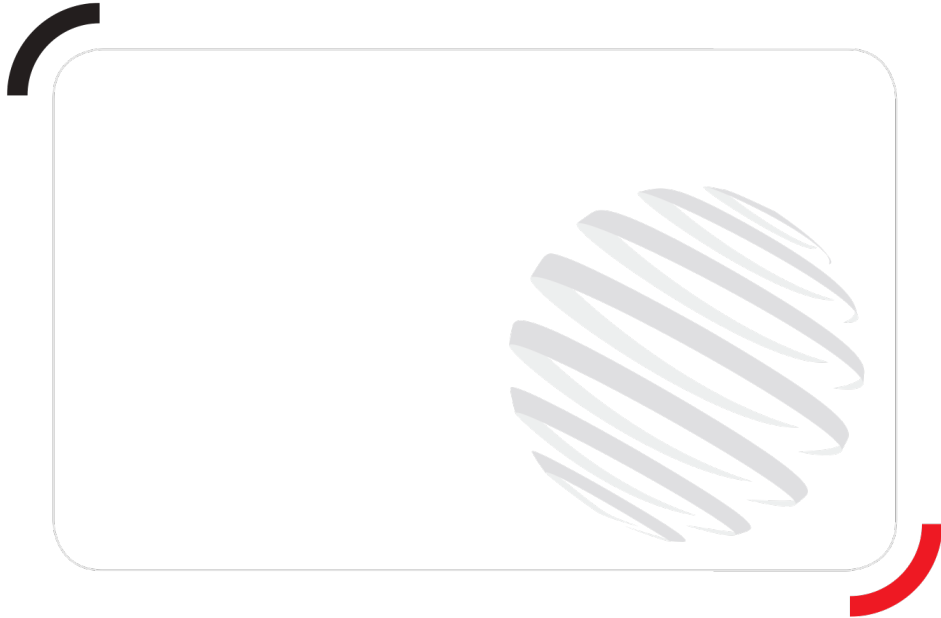
# **EP 15**

Warehousing Equipment



	Technical characteristics	Metric
1.1	Manufacturer	Manitou
1.2	Model	EP 15
1.3	Type of traction	Electric
1.4	Type of operation	Stand Up
1.5	Q - Rated capacity	1500 kg
1.6	c - Center of gravity of load	600 mm
1.8	x - Distance from the load bearing surface to the centre of the front axle	960 mm
1.9	y - Wheelbase	1285 mm
Weight		
2.1	Weight of truck in working order	220 kg
Wheels		
3.1	Tyre equipment: bandage (V), PPS (SE), inflatable tyre (L)	Polyurethane
3.4	Size of caster wheels	(70x40 mm)
3.5	Number of front wheels (x)	3 / 4
3.7	b11 - Rear track	400 mm
Dimensions		
4.2	h1 - Height (mast lowered)	80 mm
4.19	l1 - Total length	1669 mm
4.20	l2 - Length to fork heel	520 mm
4.21	b1 - Overall width - Single/twinned wheels	568 mm / -
4.22	e / s / l - Fork dimensions	160 x 50 x 1150
4.32	m2 - Ground clearance at centre of wheel-base	30 mm
4.33	Ast - Aisle width for 1000 x 1200 pallet widthwise	1900 mm
4.35	Wa - Turning radius	1400 mm
Performances		
5.1	Speed of travel laden / unladen	4.50 km/h / 4.90 km/h
5.2	Lifting speed laden / unladen	0.05 m/s / 0.06 m/s
5.3	Lowering speed laden / unladen	0.04 m/s / 0.05 m/s
5.7	Maximum ramp laden / unladen	6 % / 15 %
5.10	Service brake	Electromagnetic
Engine		
6.1	Drive motor power rating	0.65 kW
6.2	Lift motor power	0.80 kW
6.4	Battery voltage/capacity	24 V / 70 Ah
7.2	Useful power	0.80 kW





Siège Social  
430 rue de l'Aubinière - 44150 Ancenis Cedex - France  
Tel: +33(0)2 40 09 10 11 - Fax: +33 (0)2 40 09 10 97  
[www.manitou.com](http://www.manitou.com)



This brochure describes versions and configuration options for Manitou products which may be fitted with different equipment. The equipment described in this brochure may be standard, optional or not available depending on version. Manitou reserves the right to change the specifications shown and described at any time and without prior warning. The manufacturer is not liable for the specifications given. For more information, contact your Manitou dealer. Non-contractual document. Product descriptions may differ from actual products. List of specifications is not comprehensive. The logos and visual identity of the company are the property of Manitou and may not be used without authorisation. All rights reserved. The photos and diagrams contained in this brochure are provided for information only.

MANITOU BF SA - Limited company with board of directors - Share capital: 39,547,824 euros - 857 802 508 RCS Nantes