

Technical sheet

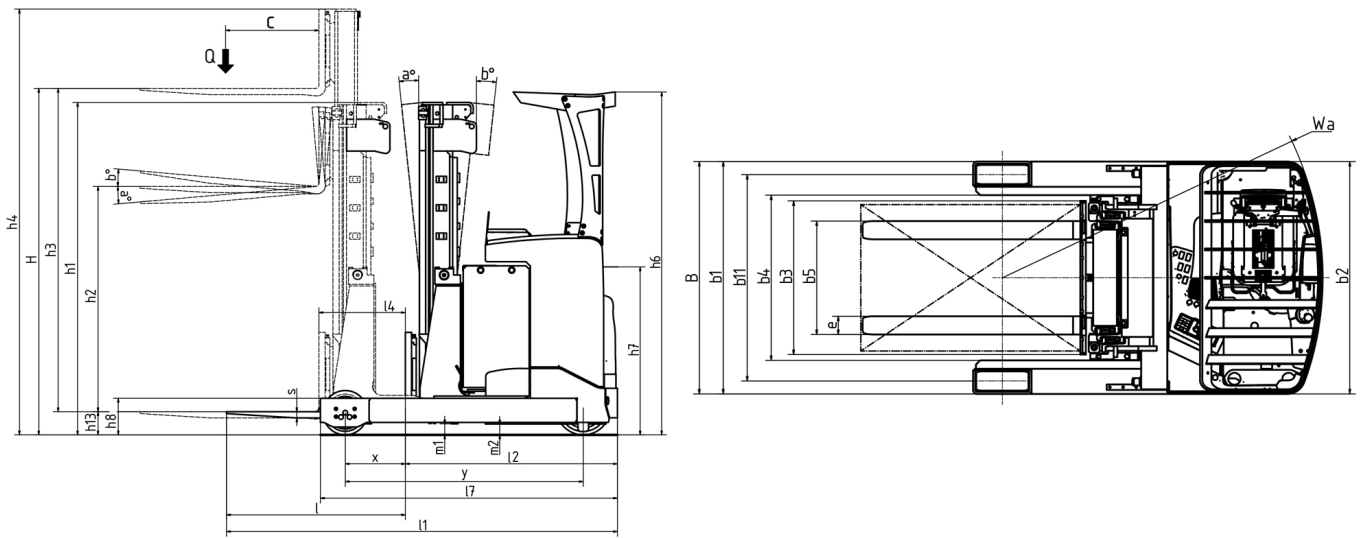
ER 12

Warehousing Equipment

Technical characteristics		Metric	Imperial
1.1	Manufacturer	Manitou	Manitou
1.2	Model	ER 12	ER 12
1.3	Type of traction	Electric	Electric
1.4	Type of operation	Seated	Seated
1.5	Q - Rated capacity	1200 kg	2640 lbs
1.6	c - Center of gravity of load	600 mm	0.20 in
1.9	y - Wheelbase	1378 mm	54.24 in
Weight			
2.1	Weight of truck in working order	2780 kg	6116 lbs
2.3	Unladen weight on front/rear axle	1644 kg / 1046 kg	3617 lbs / 2301 lbs
Wheels			
3.1	Tyre equipment: bandage (V), PPS (SE), inflatable tyre (L)	Cellular solid cushion	Cellular solid cushion
3.2	Size of front wheels	355 x 155	355 x 155
3.3	Size of rear wheels	220 x 85	220 x 85
3.5	Number of front wheels (x)	1x / 2	1x / 2
3.6	b10 - Front track	0 mm	0 in
3.7	b11 - Rear track	1 mm	3.26 in
Dimensions			
4.1	α / β - Front/Rear mast angle	1 ° / 3 °	1 ° / 3 °
4.2	h1 - Height (mast lowered)	2440 mm	96 in
4.4	h3 - Lift height (Duplex mast)	5700 mm	224.40 in
4.5	h4 - Height of extended mast	6280 mm	247.20 in
4.7	h6 - Height of driver protection (cab)	2200 mm	86.76 in
4.8	h7 - Height of seat	1080 mm	42.36 in
4.19	l1 - Total length	2413 mm	94.92 in
4.20	l2 - Length to fork heel	1263 mm	49.68 in
4.21	Overall length - Single/twin wheels	1120 mm / -	44.16 in / -
4.22	e / s / l - Fork dimensions	1150 x 100 x 40	37.72 x 3.3 x 1.3
4.23	Fork carriage to DIN 15173 A/B	2A	2A
4.24	b3 - Width of fork clamp	830 mm	32.64 in
4.31	m1 - Ground clearance under mast	70 mm	2.76 in
4.34	Ast - Aisle width for 800 x 1200 pallet lengthwise	2750 mm	108.24 in
4.35	Wa - Turning radius	1598 mm	62.88 in
Performances			
5.1	Speed of travel laden / unladen	12.30 km/h / 12.50 km/h	7.64 mph / 7.70 mph
5.2	Lifting speed laden / unladen	0.50 m/s / 0.65 m/s	1.64 ft/s / 2.13 ft/s
5.3	Lowering speed laden / unladen	0.58 m/s / 0.55 m/s	1.90 ft/s / 1.80 ft/s
5.7	Maximum ramp laden / unladen	7.50 % / 11.10 %	7.50 % / 11.10 %
5.10	Service brake	Electromagnetic	Electromagnetic
Engine			
6.1	Drive motor power rating	5.90 kW	5.90 kW
6.2	Lift motor power	11 kW	11 kW
6.4	Battery voltage/capacity	48 V / 465 Ah	48 V / 465 Ah
Miscellaneous			
8.1	Type of drive unit	Electronic	Electronic
8.2	Working hydraulic pressure for attachments	150 bar	2176 psi
8.3	Oil flow rate for attachments	25 l/min	6.60 gpm
8.4	Measured/guaranteed mean noise level at the ear of the operator	57.40 dB(A)	57.40 dB(A)

Dimensional drawings

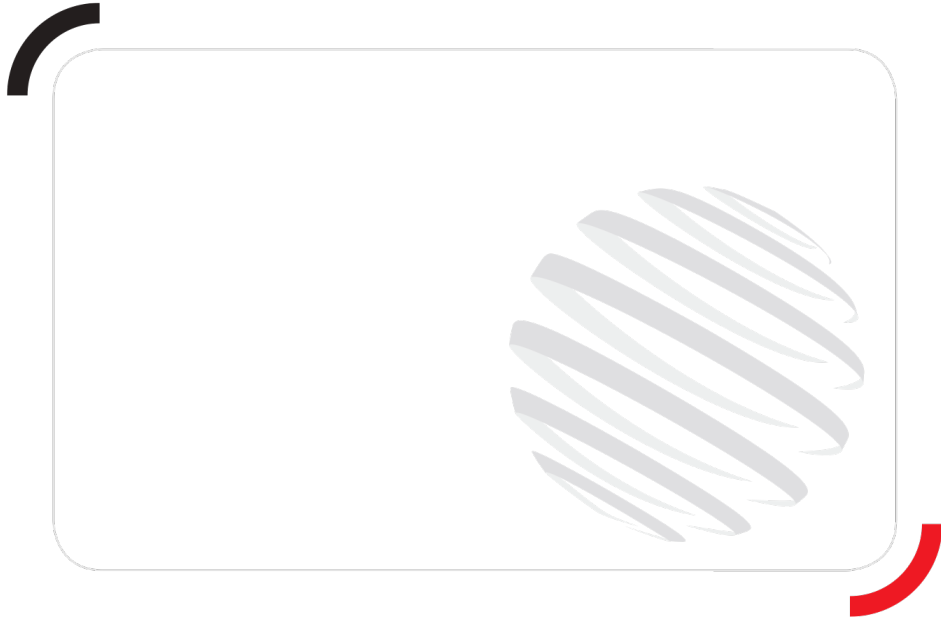
Created on February 26, 2018 2:10 PM



Characteristics of masts and residual capacities

Duplex Total Visibility		DVT32	DVT36	DVT38	DVT42	DVT45	DVT48
Lift height	mm	3200	3600	3800	4200	4500	4800
Height (mast lowered)	mm	2170	2370	2470	2670	2820	2970
Free lift	mm	125	125	125	125	125	125
Height of extended mast	mm	3780	4180	4380	4780	5080	5380
Residual capacity with integrated TLD	kg	1200	1200	1200	1200	1200	1200
Forward/backward mast tilt angle	°	1 / 4	1 / 4	1 / 4	1 / 4	1 / 4	1 / 4

Triplex Free Lift		TLL48	TLL54	TLL57	TLL63	TLL68
Lift height	mm	4800	5400	5700	6300	6800
Height (mast lowered)	mm	2140	2340	2440	2640	2790
Free lift	mm	1600	1800	1900	2100	2250
Height of extended mast	mm	5380	5980	6280	6880	7330
Residual capacity with integrated TLD	kg	1200	1200	1200	1000	700
Forward/backward mast tilt angle	°	1 / 3	1 / 3	1 / 3	1 / 3	1 / 3



Siège Social
430 rue de l'Aubinière - 44150 Ancenis Cedex - France
Tel: +33(0)2 40 09 10 11 - Fax: +33 (0)2 40 09 10 97
www.manitou.com



This brochure describes versions and configuration options for Manitou products which may be fitted with different equipment. The equipment described in this brochure may be standard, optional or not available depending on version. Manitou reserves the right to change the specifications shown and described at any time and without prior warning. The manufacturer is not liable for the specifications given. For more information, contact your Manitou dealer. Non-contractual document. Product descriptions may differ from actual products. List of specifications is not comprehensive. The logos and visual identity of the company are the property of Manitou and may not be used without authorisation. All rights reserved. The photos and diagrams contained in this brochure are provided for information only.

MANITOU BF SA - Limited company with board of directors - Share capital: 39,547,824 euros - 857 802 508 RCS Nantes